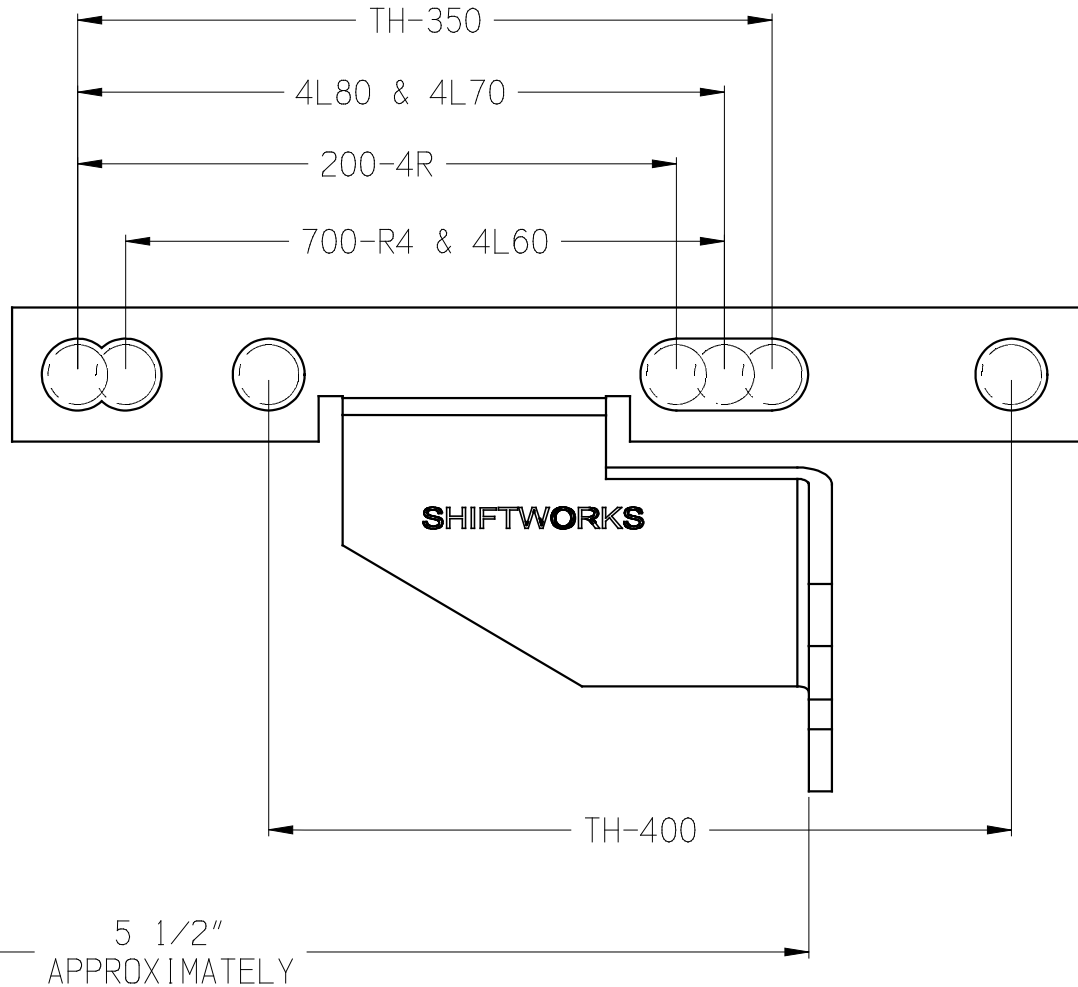
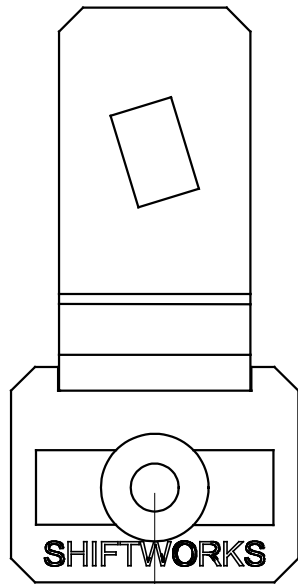


603.53 BRACKET 30 DEGREE

602\_  
TRANNNY ARM



UNLESS OTHERWISE SPECIFIED  
DIMENSIONS ARE IN INCHES.  
TOLERANCES ARE:  
FRACTIONS:      DECIMALS:  
± 1/32              .X ± .03  
                          .XX ± .015  
                          .XXX ± .005

MATERIAL

FINISH

**SHIFTWORKS®**

320 N. WASHINGTON ST. , ROCHESTER, N.Y. 14625

TITLE MOUNTING ILLUSTRATION

SIZE A      DWG NO BRACKET 30 DEGREE ( 603.53 )      REV

SCALE DO NOT SCALE DRAWING      RELEASE DATE 09-29-2010      SHEET

