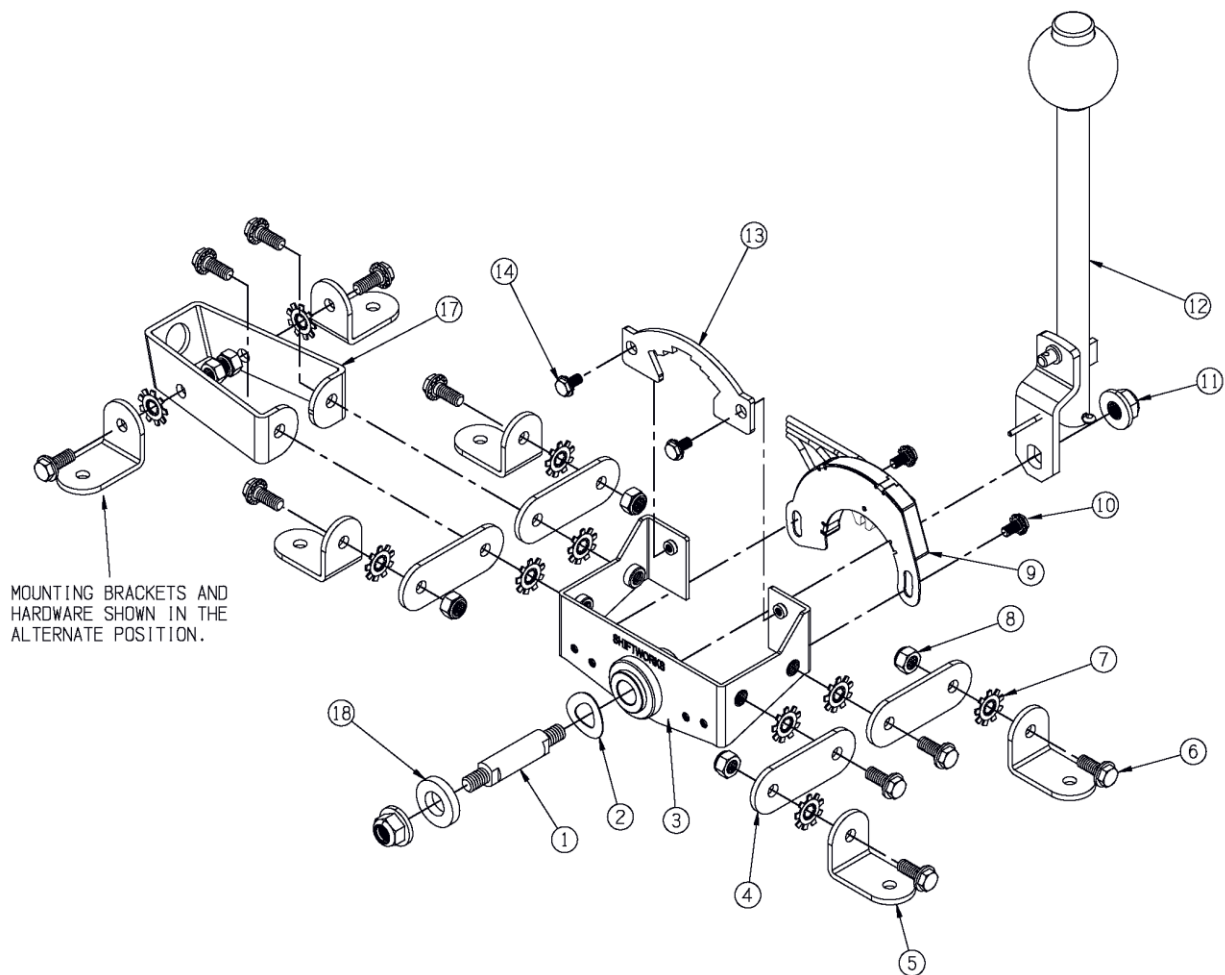


CABLE LINKAGE SW280-C & SW230-C

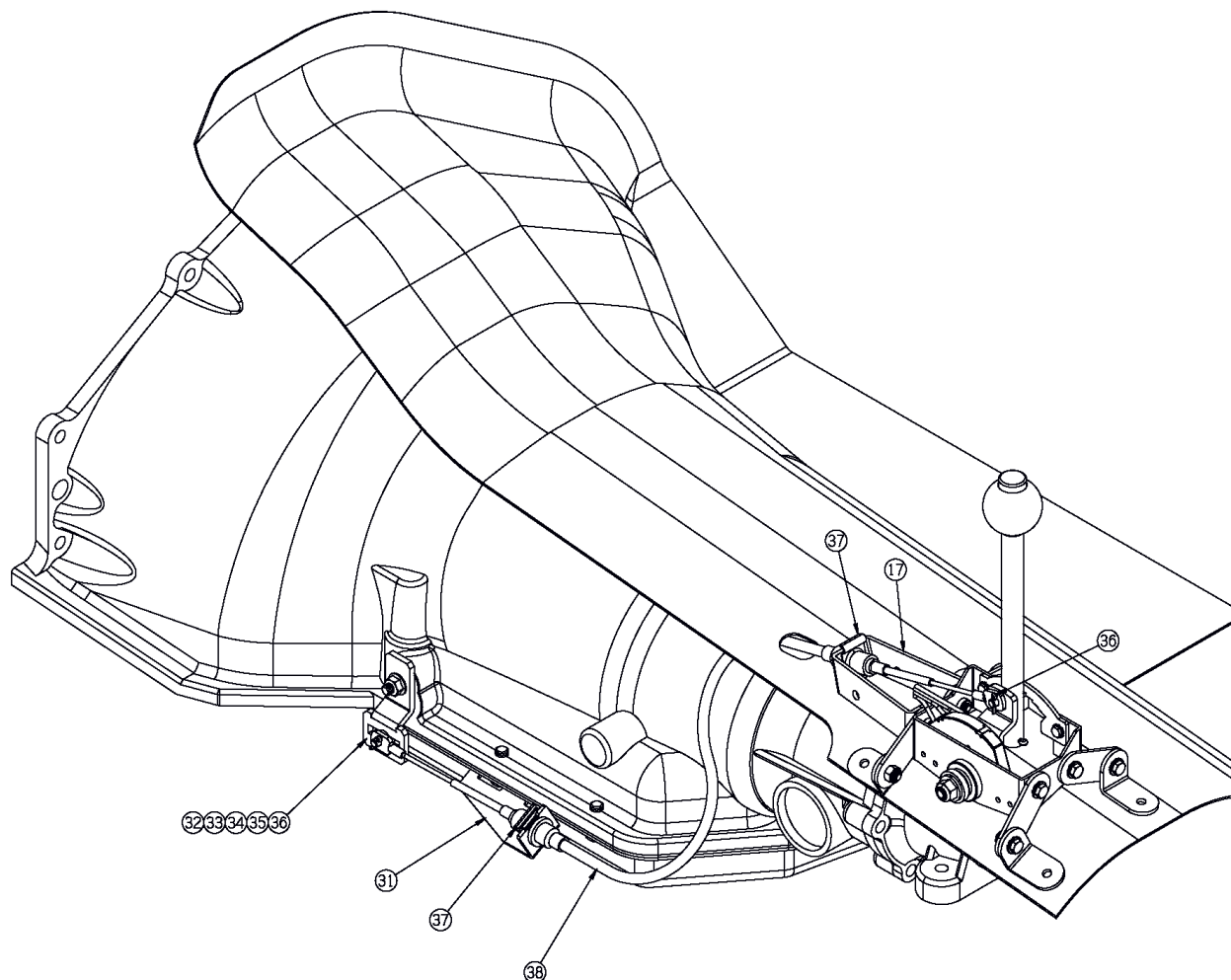
The SHIFTWORKS® shifter is available as a cable installation, and this form is suited to many factory consoles. Legs can raise and lower the shifter as necessary. Shiftworks® cables are adjustable at each bulkhead and via the pin slider located in the transmission control arm. Cables are purchased separately, or may be included at the time of purchase. Use a 1 ½ inch hole saw for the cable exit hole. The cable should exit the floor as soon as possible. The shifter handle is offset but centered in the shifter body. **Determine which way the shifter best fits the console.** By reversing the Cable Mount (17), the Shift Plate (13), and mounting the Neutral Safety/Back-up switch reversed and on the outside of the shifter, the shifter is now entirely reversed 180 degrees and able to fit left side space challenged consoles. **See page 3.**

EXPLODED VIEW



www.shiftworks.com

CABLE LINKAGE TYPICAL INSTALLATION



- Attach universal mounting legs/brackets to the shifter base. Use star washers between mating surfaces.
- Determine location of shifter and height required to clear console. Adjust legs height and position.
- **The cable exit hole should be about 1 ½ inches in diameter and exit the car floor as soon as possible.** Standard cable length is 30 inches.
- Put transmission control arm on pointing down and use pan bolts to attach cable bracket to transmission.
- Cable can be adjusted at the bulkheads and with the pin in the control arm. Adjust detent stops by adjusting the cable with both the transmission and the shifter in the same gear. We recommend Drive or OverDrive.
- Ideally the measurement from the center of the pin where the cable eyelet attaches to the face of the ban bracket where the cable clips into should be 5 ½ inches.
- **4LX TRANSMISSIONS:** If you have a 4L60E, 4L65E, 4L70E or 4L80E transmission you may have the long Range Select Shaft. This is the shaft that clicks the gears. If yours sticks out from the aluminum case about 1.5 inches it is the long one. You may require our part number 602M to keep your cable

alignment straight and if you have a 4L80E you may need our 603.430 pan bracket. Contact us directly.

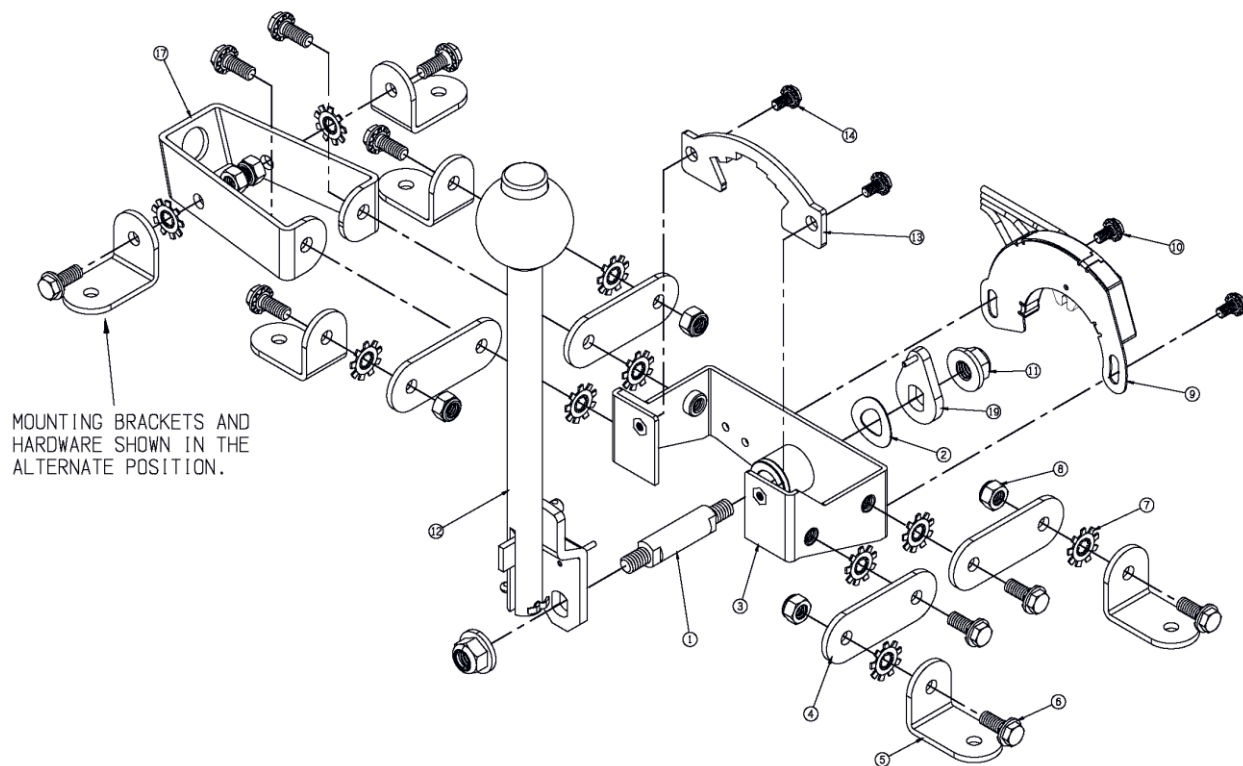
- **Neutral Safety/Back-up Switch.** Purple wires are for Neutral safety and Green and Pink wires are for back-up lights. All the switch does is complete the circuit in the appropriate gear. **If Switch is installed it is pre-adjusted.** Adjust for Back-up lights first, and then rotate switch to suit. If pre-installed, switch is pre-set. If not installed then the best way to adjust is with a test light **BEFORE** installing the shifter.

CABLE LINKAGE

SHIFTER HOUSING ROTATED 180 DEGREES

[1964-67 CHEVELLE]

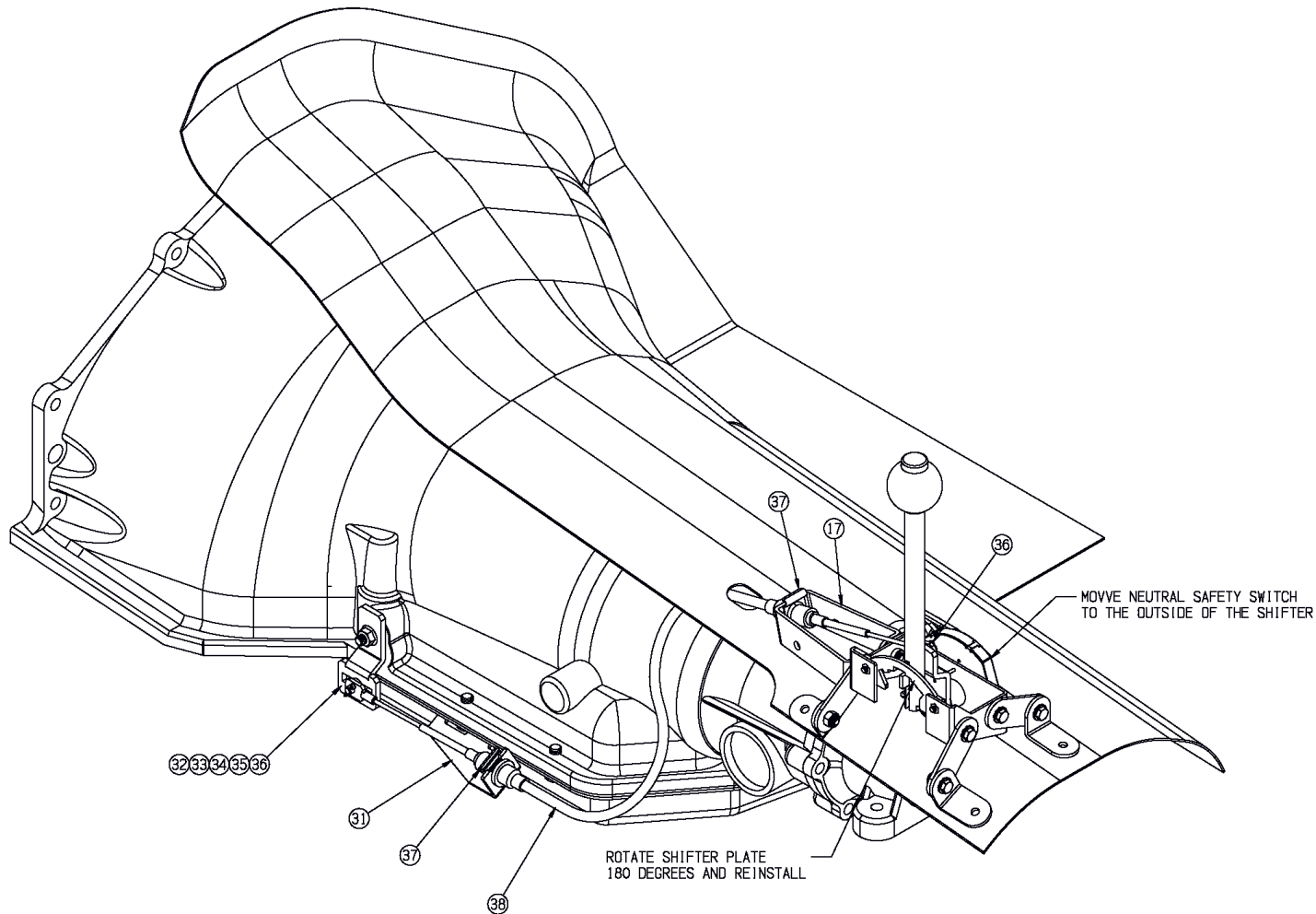
Shifter can be reversed 180 degrees if necessary. Simply reverse the cable mount bracket (17) and the detent (13). If using the NSS (9) it is then mounted on the outside of the shifter as per the illustration and it is operated by the switch actuator (19) that is now permanently welded to the rotating shaft (#1).



www.shiftworks.com

CABLE LINKAGE

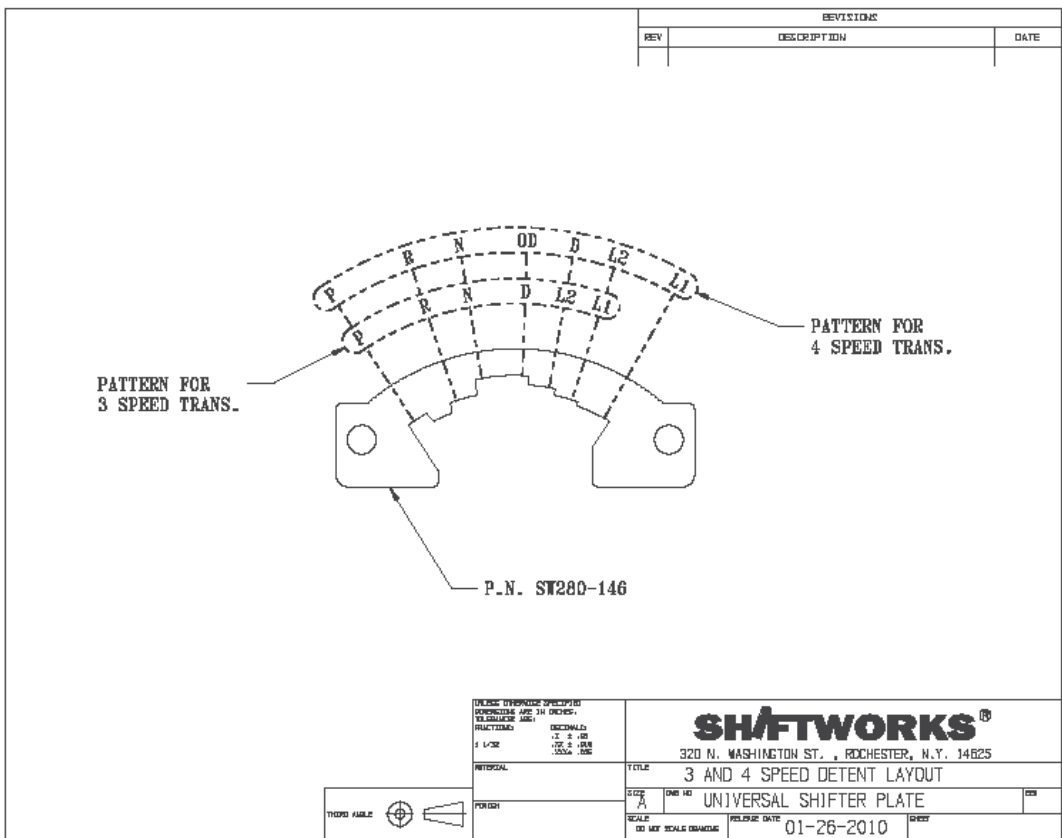
TYPICAL INSTALLATION SHIFTER HOUSING ROTATED 180 DEGREES



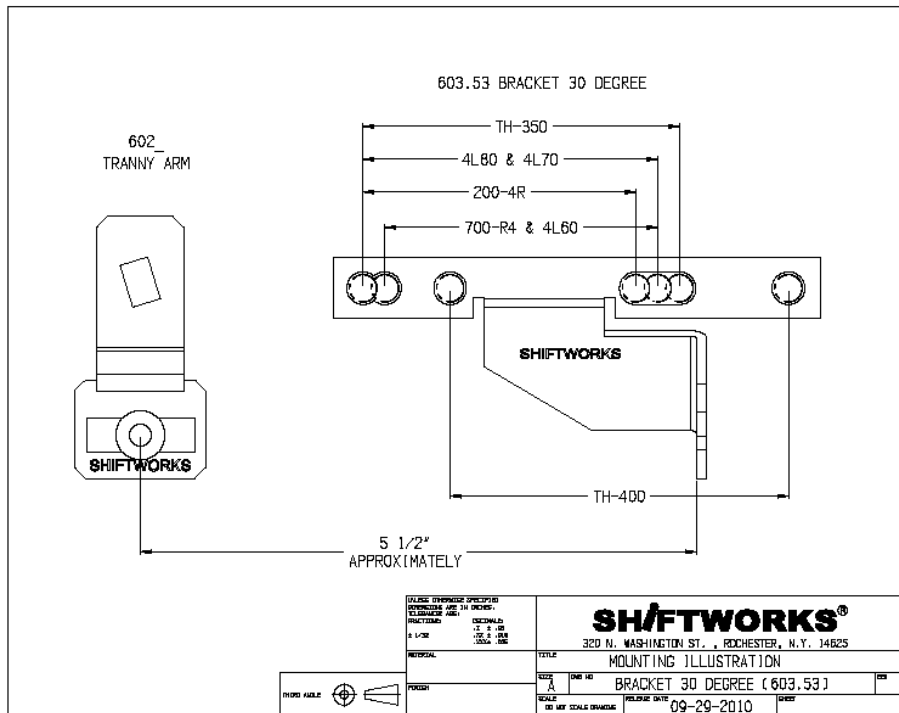
A WORD ABOUT CABLES

Our Shifter design is based upon GM Cable #3956765, used with the 1968-72 Chevrolet Horseshoe or Staple style shifter. SHIFTWORKS® recommends ONLY use of its own cable or the GM cable. We do not recommend use of any reproduction cables at this time. We do offer adaptors for B&M cables. Other aftermarket cables may be made to work by the customer. Our cables come in lengths of 30, 32, 36 and 48 inches. Custom length cables can be ordered. Our cables are flexible and adjustable at the bulkheads.

www.shiftworks.com



Your Shifter will work for BOTH the 3-speed & 4-speed OverDrive transmissions



NOTE: 6-speed transmissions cannot be manually shifted into lower gears without electronic device. P R N D M