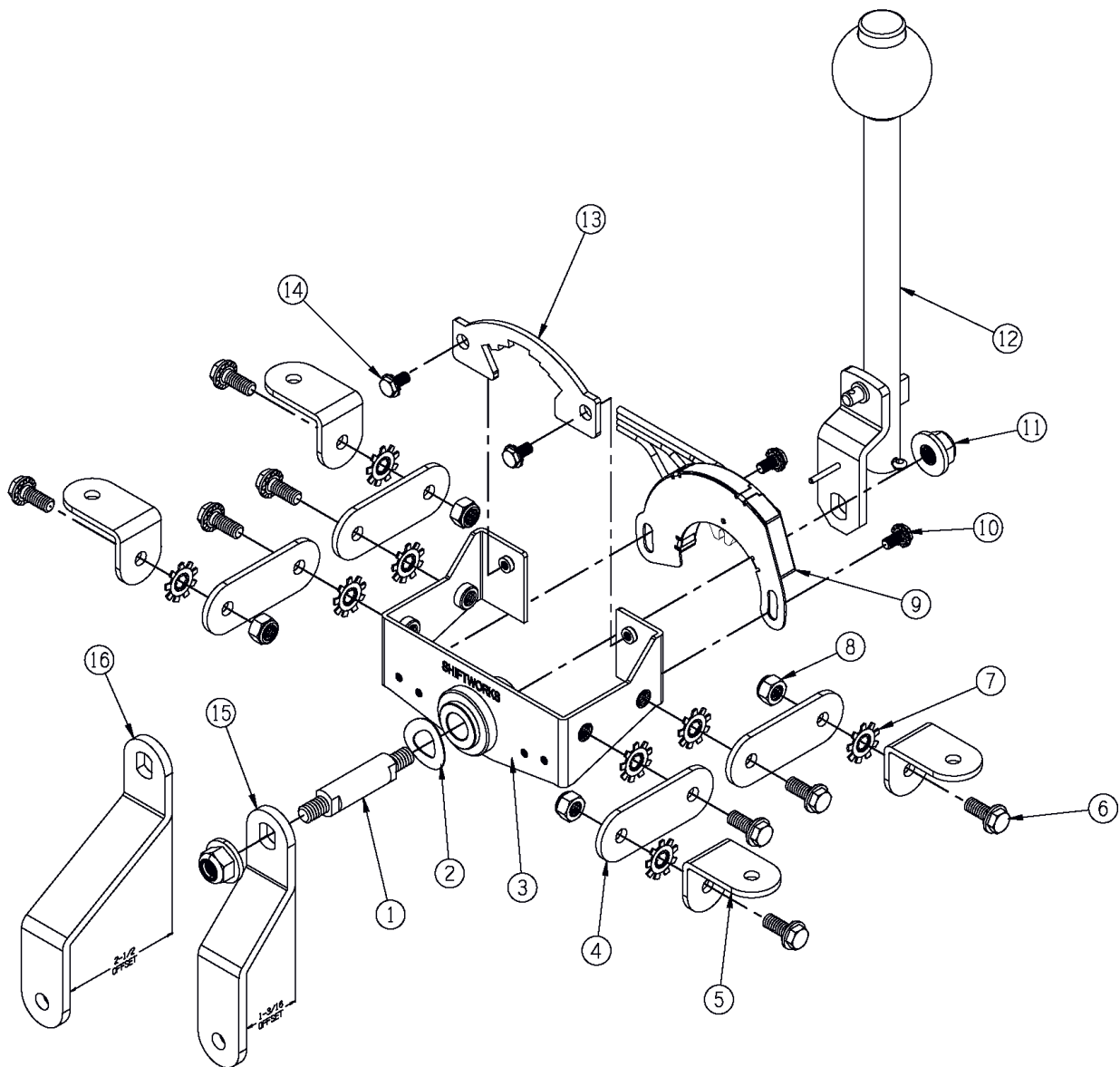


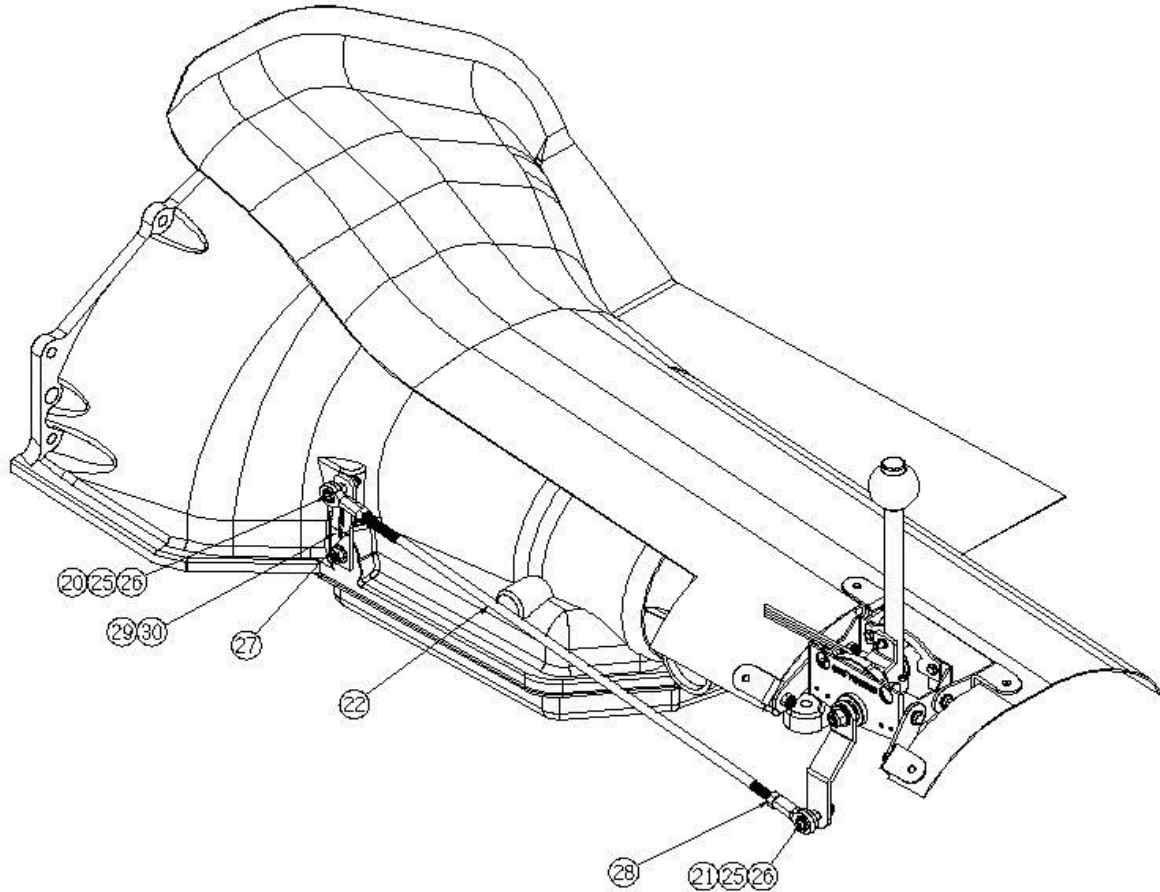
ROD LINKAGE #SW230-R & #SW280-R

SHIFTWORKS® uses 5/16-inch linkage components with **left and right hand threaded ends**. The value of using this combination is that the final adjustment can be made by simply turning the rod clockwise or counter clockwise with the linkage installed to achieve the best fit. Rod length is adjustable by shortening the linkage rod(s) included. **Use the jam nuts to tighten the linkage.** The shifter is designed to allow a very low profile by simply adjusting the legs to suit, while dropping **part of the body below the floor** as illustrated on the following page. This is a universal shifter applicable to many applications but specific to none. Some floor modification may be required.

EXPLODED VIEW

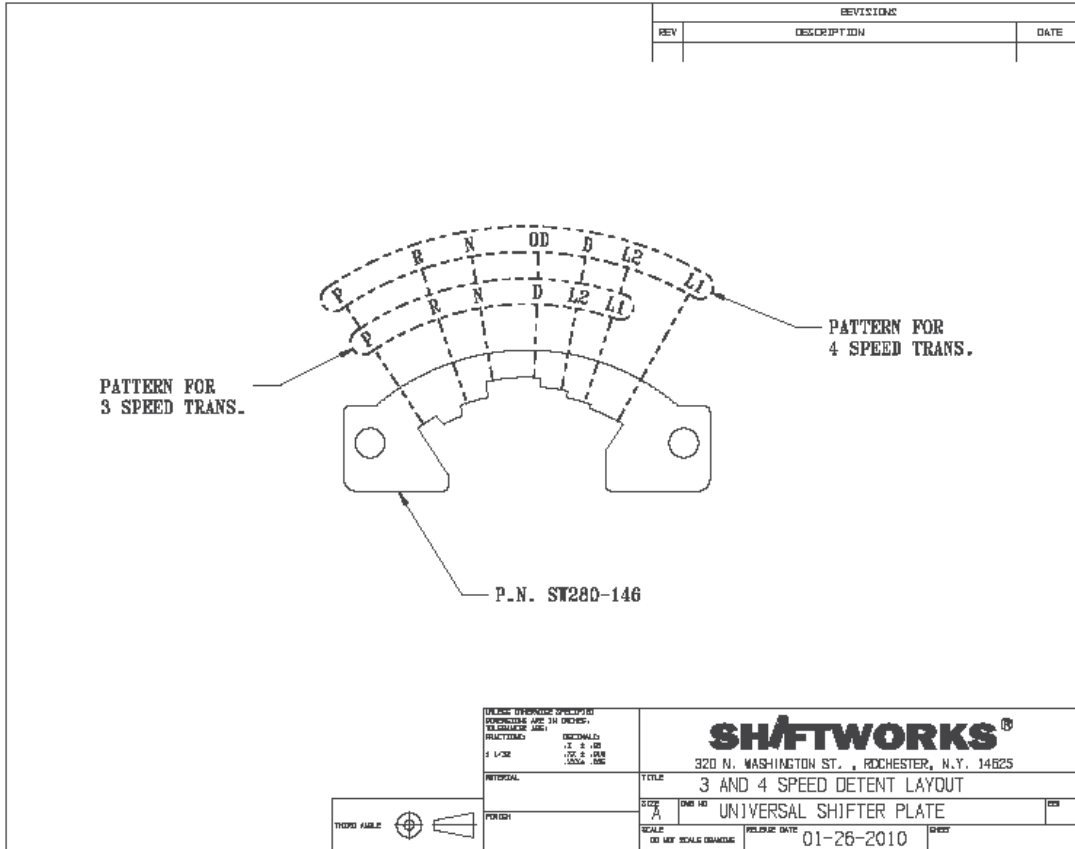


ROD LINKAGE TYPICAL INSTALLATION

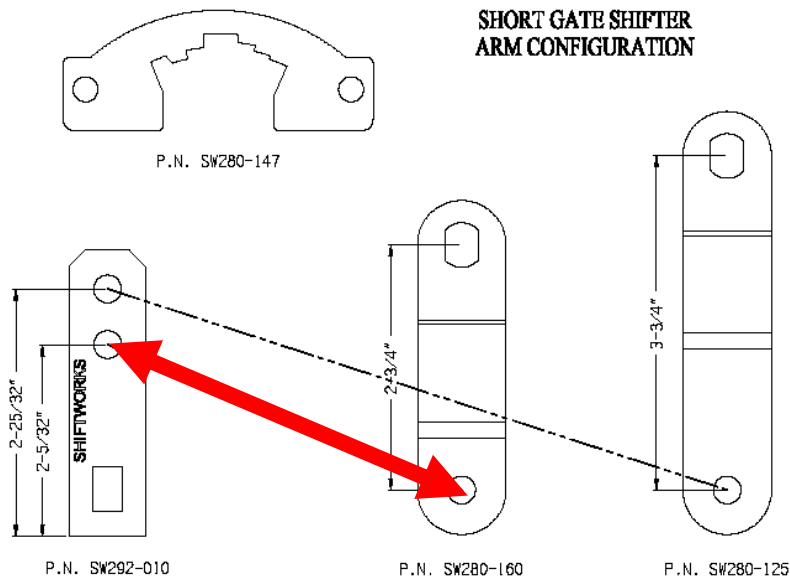


- Attach universal mounting legs/brackets to the shifter base. Use star washers between mating surfaces.
- Determine location of shifter and height required to clear console. Shifter can be lowered to beneath the floor as necessary. See illustration above.
- Adjust legs height and position. Mark and re-check.
- Mark and create hole in floor as necessary.
- Remove heavy washer on outside of shifter base and **replace** with offset shift arm. **Do NOT reinstall the heavy washer!**
- Put transmission control arm (#29) on pointing up, with SHIFTWORKS® name facing out. **Use the lower round hole for the Rod Linkage connection.**
- Only use the upper hole **IF** the longer shift arm (part #15/16) has been supplied upon your request. **See Diagram.**
- Use linkage components as required. Not all may be necessary. Components are RIGHT and LEFT hand threads.
- Adjust detent stops by spinning rod linkage to shorten or lengthen throw.
- **Neutral Safety/Back-up Switch.** Purple wires are for Neutral safety and Green and Pink wires are for back-up lights. If pre-installed, then the switch is pre-set. If not, then adjust for Back-up lights first, and then rotate switch to suit. Both sets of wires simply complete a circuit when the shifter is in position.

TH ONLY, NOT for PowerGlide
Shift Gate Construction – TH Only PG=P R N D L



Select Correct Linkage Connection Points



SHIFTWORKS 4005 W. Reno Ave, Unit E, Las Vegas, NV 89118 702-895-6812
WWW.SHIFTWORKS.COM