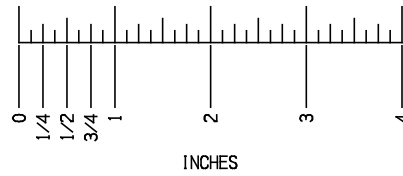
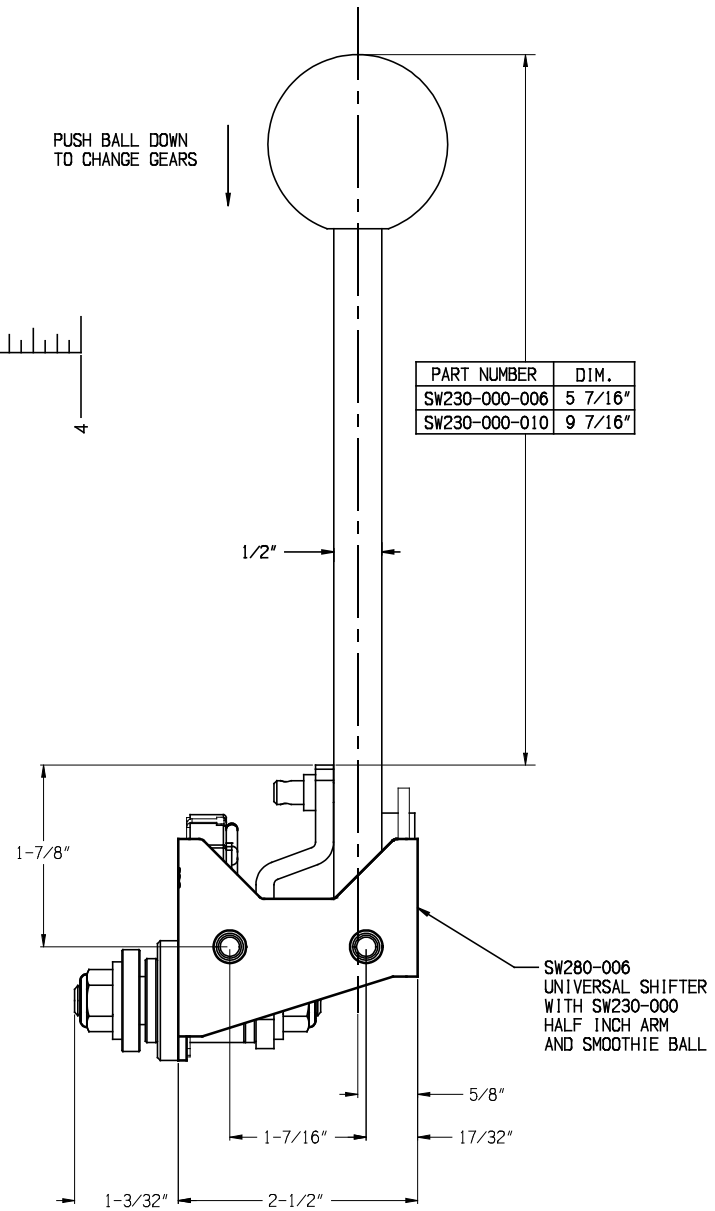


CABLE VERSION

PUSH BALL DOWN  
TO CHANGE GEARS



PART NUMBER	DIM.
SW230-000-006	5 7/16"
SW230-000-010	9 7/16"



UNLESS OTHERWISE SPECIFIED  
DIMENSIONS ARE IN INCHES.  
TOLERANCES ARE:  
FRACTIONS: .XX ± .03  
± 1/32 .XX ± .015  
.XXX ± .005

**SHIFTWORKS®**

320 N. WASHINGTON ST., ROCHESTER, N.Y. 14625

TITLE ROUGH DIM HALF INCH DIA SHIFTER ARM

SIZE DWG NO SW230-000-000

SCALE DO NOT SCALE DRAWING RELEASE DATE 01-18-2013

SHEET

