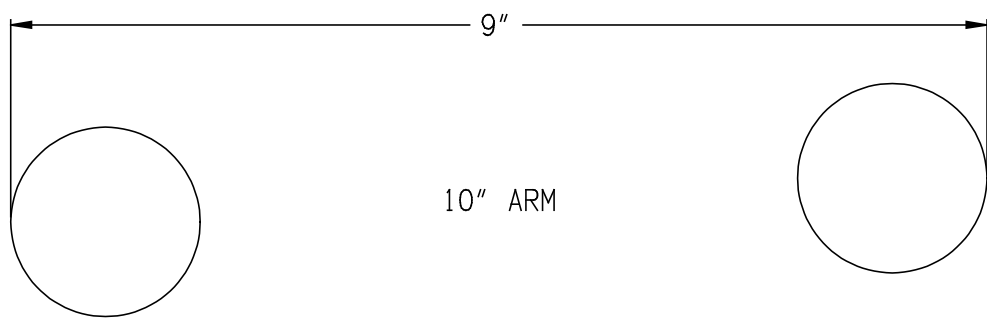
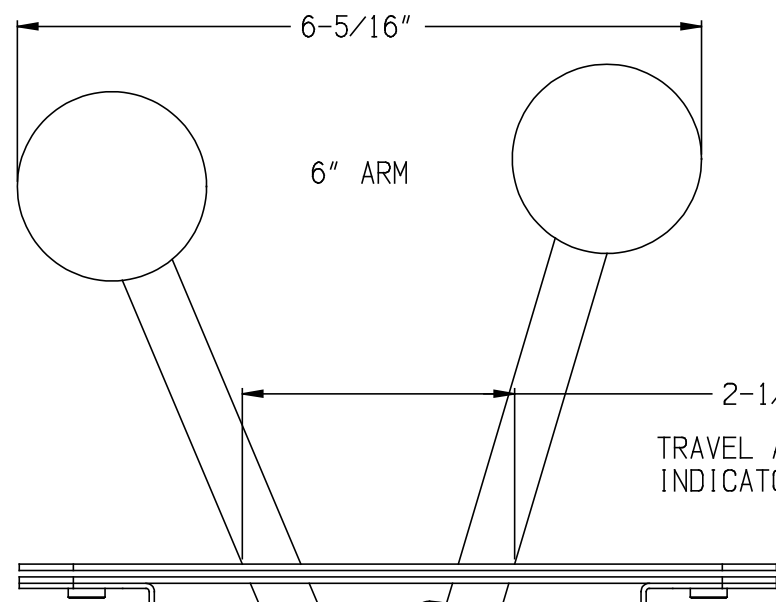


REVISIONS		
REV	DESCRIPTION	DATE



10" ARM

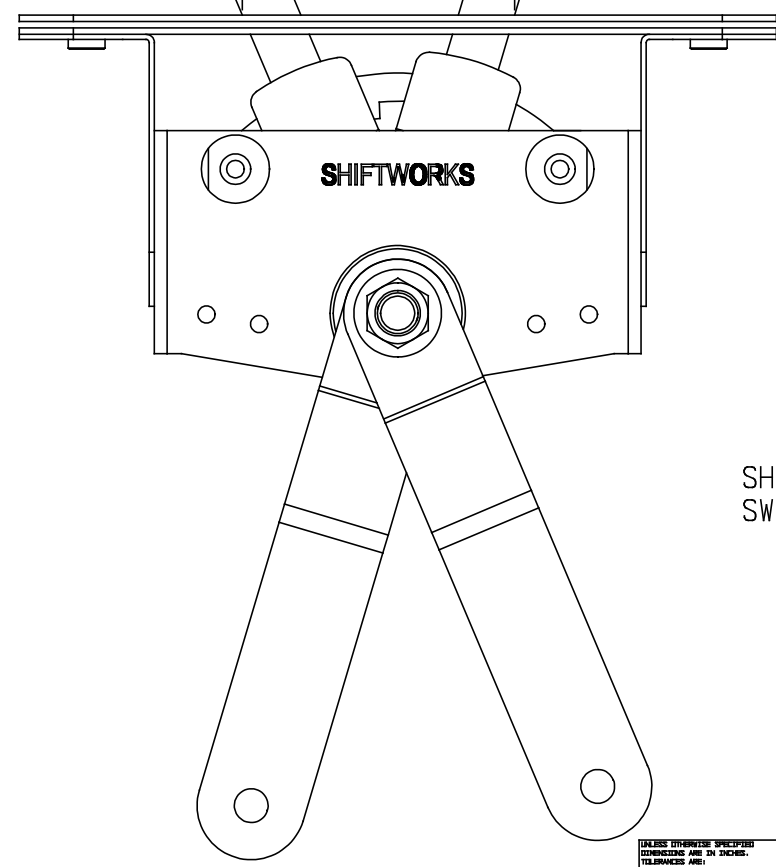


PARK

6" ARM

2-1/2"

TRAVEL AT TOP OF INDICATOR PLATE



SHIFTER ARM TRAVEL USING SW230-000 SHIFTER ARM

UNLESS OTHERWISE SPECIFIED  
DIMENSIONS ARE IN INCHES.  
TOLERANCES ARE:  
FRACTIONS: DECIMALS:  
.XX & .XX8  
& 1/16 .XX & .018  
.0004 .0008

**SHIFTWORKS**<sup>®</sup>  
320 N. WASHINGTON ST., ROCHESTER, N.Y. 14625

TITLE  
SHIFTER ARM TRAVEL



SCALE	AS NOTED	RELEASE DATE	07-12-2010	SHEET	
-------	----------	--------------	------------	-------	--