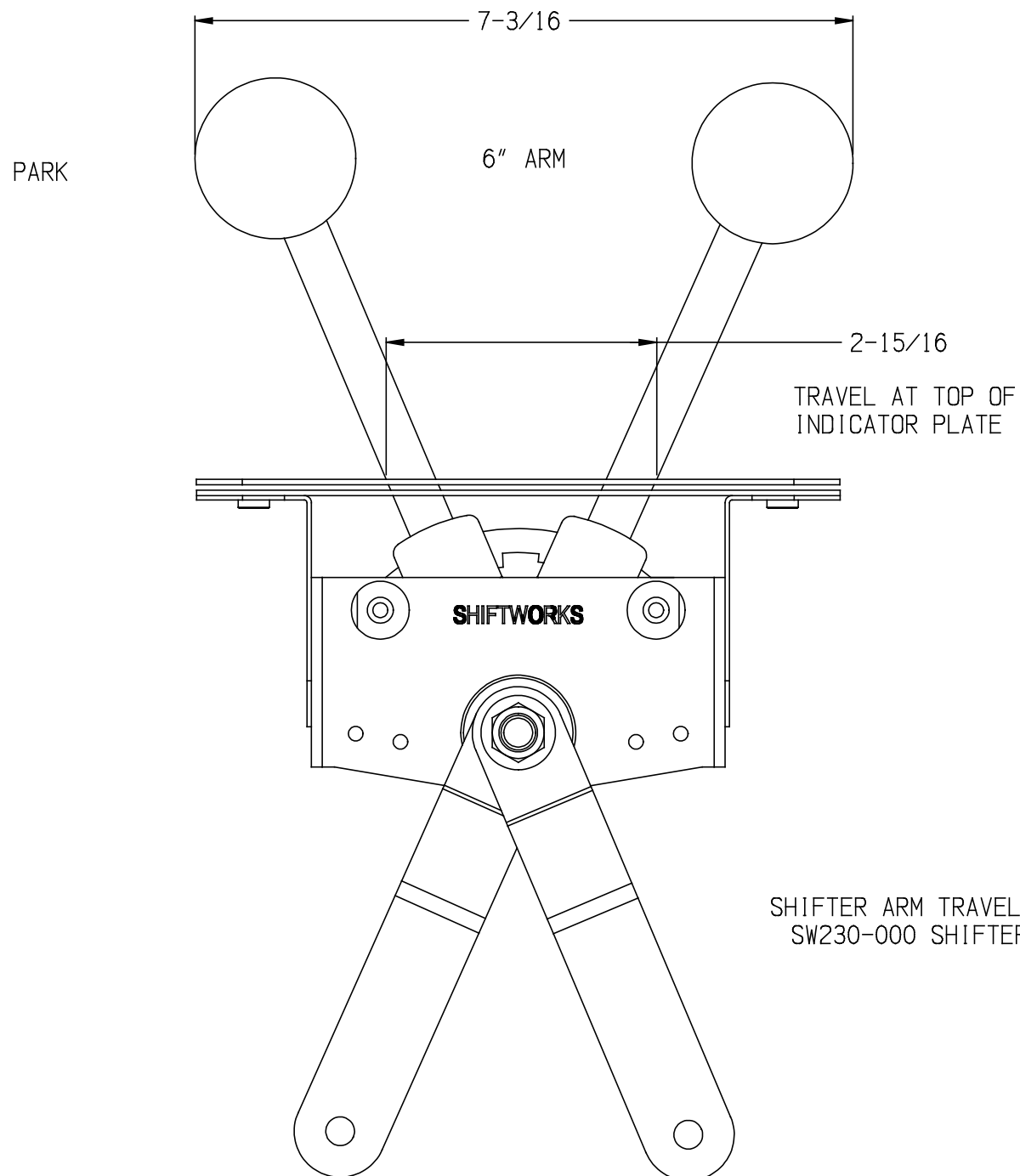
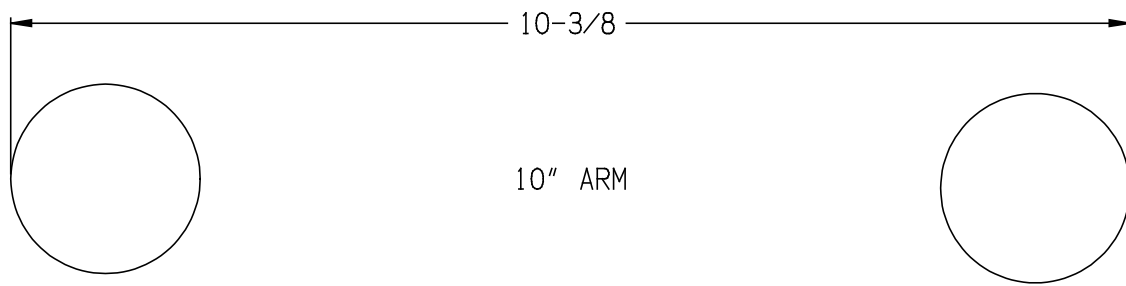


REVISIONS		
REV	DESCRIPTION	DATE



UNLESS OTHERWISE SPECIFIED
DIMENSIONS ARE IN INCHES.
TOLERANCES ARE:
FRACTIONS: DECIMALS:
1/16 & 1/32 .005
3/32 & 1/8 .005
1/4 & 3/8 .005
1/2 & 3/4 .005
1 & 1 1/2 .005

SHIFTWORKS[®]
320 N. WASHINGTON ST., ROCHESTER, N.Y. 14625

TITLE: SHIFTER ARM TRAVEL

SIZE: (DWG NO) 4 SPEED SHORT GATE (REV)



SCALE: (DO NOT SCALE DRAWING)	RELEASE DATE: 07-12-2010	SHEET: ()
-------------------------------	--------------------------	------------